

DESCRIPTION

- Metal construction with various finishes identified by suffix
- Flexible supplies with 3/8" compression fittings
- Includes side spray with Duralock™ quick connect system

OPERATION

- Bar style handle
- Temperature controlled by 100° arc of handle travel
- Operates with less than 5 lbs. of force

FLOW

- Flow is limited to 1.5 gpm (5.7 L/min) max at 60 psi max

CARTRIDGE

- 1255 cartridge design
- Nonmetallic/nonferrous and stainless steel material

STANDARDS

- Third party certified to IAPMO Green, ASME A112.18.1/CSA B125.1 and all applicable requirements referenced therein including NSF 61/9 & 372
- Meets CalGreen and Georgia SB370 requirements
- Complies with California Proposition 65 and with the Federal Safe Drinking Water Act
- ADA for lever handle

WARRANTY

- Lifetime limited warranty against leaks, drips and finish defects to the original homeowner
- 10 year limited warranty when used in a multifamily installation
- 5 year limited warranty when used in a commercial installation
- Visit www.moen.com/support for complete details and limitations

Banbury™

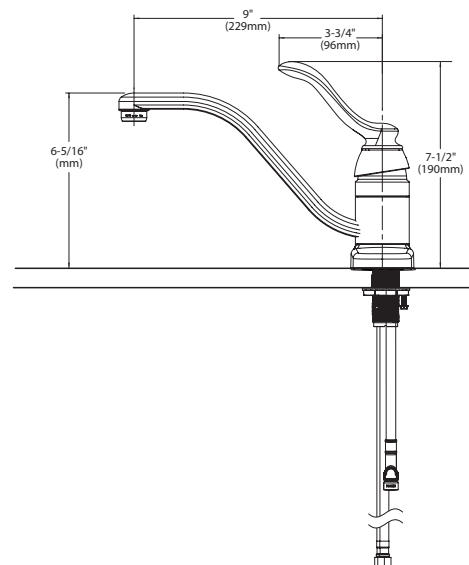
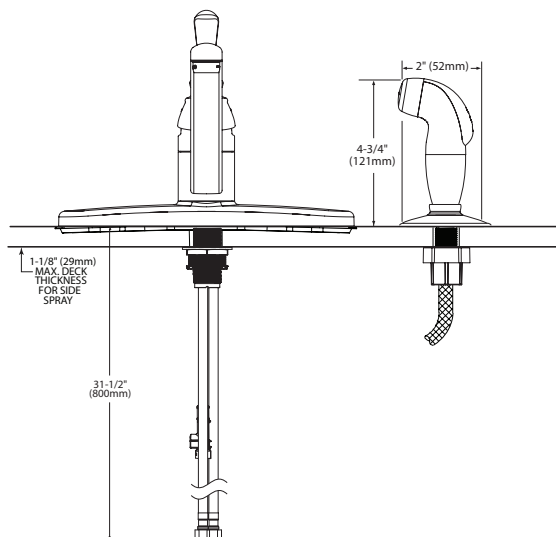
Single-Handle Lever Kitchen Faucet

MODELS: 7050 Series

NOTE:

Note: Designed to be installed through 3 holes, 1-1/4" (32mm) min. dia. And 4" (102mm) on center.

ADA 



CRITICAL DIMENSIONS DO NOT SCALE